

LBB Series Gage Heads

±0.020" Range; Spring-Extend Design

FEATURES

- ◆ Ultra-Precision Performance
- ◆ AC-Operated
- ◆ User-Adjustable Pretravel and Overtravel Settings
- ◆ 0.315" (8 mm) or 0.375" (9.5 mm) Body Diameter
- ◆ Plain or Threaded Housing
- ◆ Calibration Certificate Supplied with Every Gage Head
- ◆ Compatible with All Schaevitz® Signal Conditioners
- ◆ 7 Connector Options



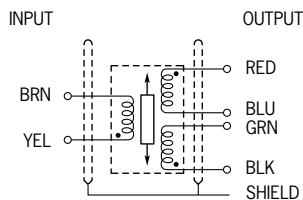
electrical specifications

Excitation	3.5 V rms at 5.0 kHz (nom)
Sensitivity	6.9 – 7.2 mV/V/.001"
Null Voltage	2.0 mV (max)
Phase Shift	6.5° ±3°
Primary Impedance	405 ohms
Secondary Impedance	1320 ohms

mechanical specifications

Pretravel	0.002" to 0.005"
Overtravel	0.005" (min)
Probe Force	2.47 oz (70g) nominal at null
Body Diameter	0.315" or 0.375"
Body Type	Plain or threaded
Cable Length	6.5' (2.0m)
Tip Thread	2.5 mm

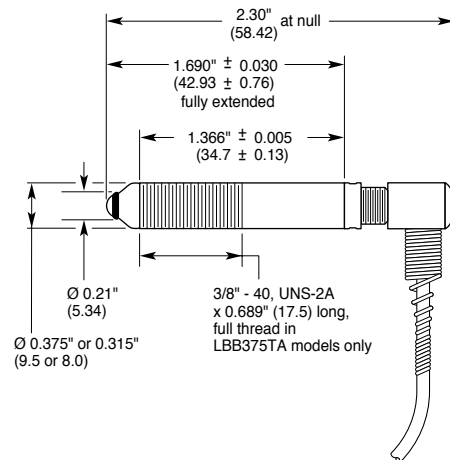
wiring



Note:
BLU and GRN tied for differential output with YEL and BLK common. The output is in phase, with core displaced toward cable end. (Retract)

dimensions

in (mm)



ordering information

Specify the appropriate model number followed by the desired connector number. For example: LBB375PA-020-1.

Model Number	Body Diameter	Housing
LBB315PA-020	0.315"	Unthreaded
LBB375PA-020	0.375"	Unthreaded
LBB375TA-020	0.375"	Threaded

LBB Series Gage Heads

±0.040" Range; Spring-Extend Design

FEATURES

- ◆ Ultra-Precision Performance
- ◆ AC-Operated
- ◆ User-Adjustable Pretravel and Overtravel Settings
- ◆ 0.315" (8 mm) or 0.375" (9.5 mm) Body Diameter
- ◆ Plain or Threaded Housing
- ◆ Calibration Certificate Supplied with Every Gage Head
- ◆ Compatible with All Schaevitz® Signal Conditioners
- ◆ 7 Connector Options
- ◆ Special Contact Tips



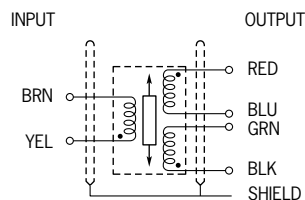
electrical specifications

Excitation	3.5 V rms at 5.0 kHz (nom)
Sensitivity	5.0 – 5.5 mV/V/.001"
Null Voltage	5.0 mV (max)
Phase Shift	3.0° ±3°
Primary Impedance	960 ohms
Secondary Impedance	2150 ohms

mechanical specifications

Pretravel	0.002" to 0.005"
Overtravel	0.005" (min)
Probe Force	2.47 oz (70g) nominal at null
Body Diameter	0.315" or 0.375"
Body Type	Plain or threaded
Cable Length	6.5' (2.0m)
Tip Thread	4-48 AGD

wiring



Note:
BLU and GRN tied for differential output with YEL and BLK common. The output is in phase, with core displaced toward cable end. (Retract)

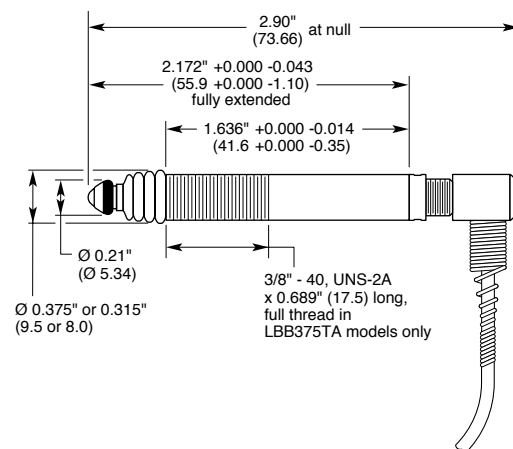
ordering information

Specify the appropriate model number followed by the desired connector number. For example: LBB315PA-040-1. Special contact tips are also available and can be ordered separately.

Model Number	Body Diameter	Housing
LBB315PA-040	0.315"	Unthreaded
LBB375PA-040	0.375"	Unthreaded
LBB375TA-040	0.375"	Threaded

dimensions

in (mm)



LBB Series Gage Heads

±0.100" Range; Spring-Extend Design

FEATURES

- ◆ Ultra-Precision Performance
- ◆ AC-Operated
- ◆ User-Adjustable Pretravel and Overtravel Settings
- ◆ 0.315" (8 mm) or 0.375" (9.5 mm) Body Diameter
- ◆ Plain or Threaded Housing
- ◆ Calibration Certificate Supplied with Every Gage Head
- ◆ Compatible with All Schaevitz® Signal Conditioners
- ◆ 7 Connector Options
- ◆ Special Contact Tips



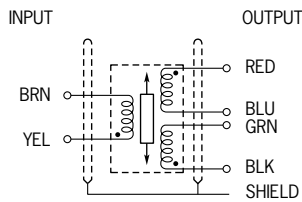
electrical specifications

Excitation	3.5 V rms at 5.0 kHz (nom)
Sensitivity	5.0 – 5.5 mV/V/.001"
Null Voltage	5.0 mV (max)
Phase Shift	3.0° ±3°
Primary Impedance	960 ohms
Secondary Impedance	2150 ohms

mechanical specifications

Pretravel	0.002" to 0.005"
Overtravel	0.005" (min)
Probe Force	2.47 oz (70g) nominal at null
Body Diameter	0.315" or 0.375"
Body Type	Plain or threaded
Cable Length	6.5' (2.0m)
Tip Thread	4-48 AGD

wiring



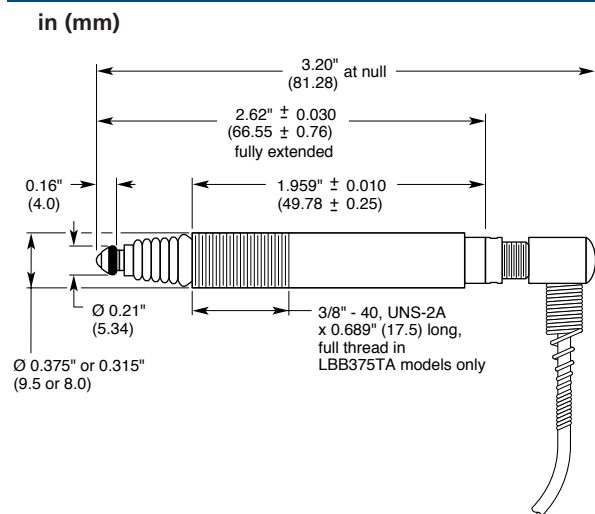
Note:
BLU and GRN tied for differential output with YEL and BLK common. The output is in phase, with core displaced toward cable end. (Retract)

ordering information

Specify the appropriate model number followed by the desired connector number. For example: LBB375PA-100-1. Special contact tips are also available and can be ordered separately.

Model Number	Body Diameter	Housing
LBB315PA-100	0.315"	Unthreaded
LBB375PA-100	0.375"	Unthreaded
LBB375TA-100	0.375"	Threaded

dimensions



LBB Series Gage Heads

±0.100" Range; Air-Extend Design

FEATURES

- ◆ Ultra-Precision Performance
- ◆ AC-Operated
- ◆ 0.375" (9.5 mm) Plain or Threaded Housing
- ◆ Variable Probe Force
- ◆ Calibration Certificate Supplied with Every Gage Head
- ◆ Compatible with All Schaevitz® Signal Conditioners
- ◆ 7 Connector Options
- ◆ Special Contact Tips



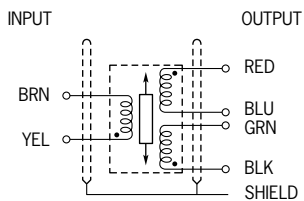
electrical specifications

Excitation	3.5 V rms at 5.0 kHz (nom)
Sensitivity	.0 mV (max)
Phase Shift	±20°
Primary Impedance	260 ohms
Secondary Impedance	2159 ohms

mechanical specifications

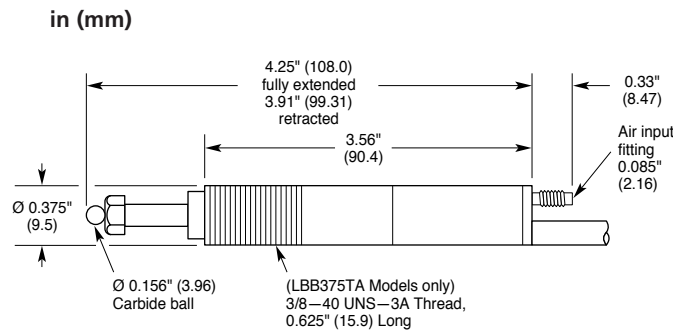
Pretravel	0.005"
Overtravel	0.110" (min)
Probe Force	Variable
Body Diameter	0.375"
Body Type	Plain or threaded
Cable Length	6.5' (2.0m)
Tip Thread	4-48 AGD

wiring



Note:
BLU and GRN tied for differential output with YEL and BLK common. The output is in phase, with core displaced toward cable end. (Retract)

dimensions



ordering information

Specify the appropriate model number followed by the desired connector number. For example: LBB375PA-100A-1. Special contact tips are also available and can be ordered separately.

Model Number	Body Diameter	Housing
LBB375PA-100A	0.375"	Unthreaded
LBB375TA-100A	0.375"	Threaded

LBB Series Gage Heads

±0.200" Range; Spring-Extend Design

FEATURES

- ◆ Ultra-Precision Performance
- ◆ AC-Operated
- ◆ 0.315" (8 mm) Body Diameter
- ◆ Plain Housing
- ◆ Calibration Certificate Supplied with Every Gage Head
- ◆ Compatible with All Schaevitz® Signal Conditioners
- ◆ 7 Connector Options

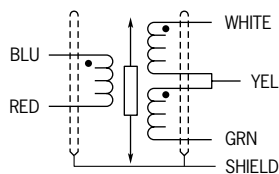


electrical specifications

Excitation	5 V rms at 5.0 kHz (nom)
Sensitivity	4.3 mV/V/.001"
Null Voltage	5.0 mV (max)

wiring

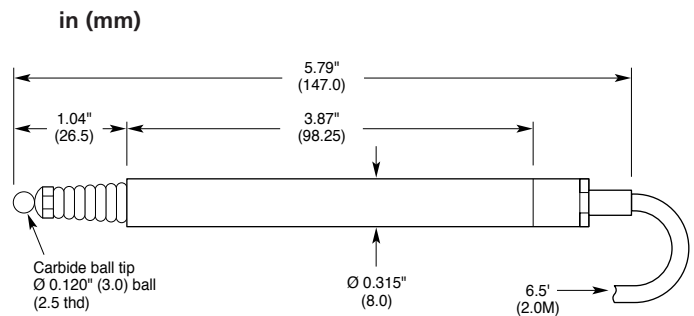
Wiring Schematic



mechanical specifications

Pretravel	0.005"
Overtravel	0.045" (min)
Probe Force	4.4 oz (125g) nominal at null
Body Diameter	0.315"
Body Type	Plain
Cable Length	6.5' (2.0m)
Tip Thread	2.5 mm

dimensions



ordering information

Specify the appropriate model number followed by the desired connector number (from page 100). For example: LBB315PA-200-1.

Model Number	Body Diameter	Housing
LBB315PA-200	0.315"	Unthreaded