

AngleStar®

Electronic Protractor System

DESCRIPTION

The AngleStar® Protractor System (APS)

is a ready to use, stand alone system for angle measurements. The system incorporates the AccuStar® Electronic Clinometer, a digital display, and a four foot cable. (Cable lengths up to 200 feet are available. Consult factory for details.) This system works on a 9 volt battery and needs no external power.

The display can be mounted up to 200 feet from the sensor. There are three systems to choose from, ± 20 degrees with a 0.01 degree resolution, $\pm 45^\circ$, or a $+90^\circ$ with 0.1 degree resolution.



FEATURES

- ◆ Three-Part System – Sensor, LCD Display and Cable
- ◆ Remote Sensing – 200 Feet for Display
- ◆ Ranges: $\pm 20^\circ$, $\pm 45^\circ$ or $+90^\circ$

APPLICATIONS

- ◆ Platform Leveling
- ◆ Antenna Positioning
- ◆ Mining Equipment
- ◆ Machine Tooling

performance specifications

Standard (P/N 02160001-000)

Linear Range	$\pm 45^\circ$
Threshold & Resolution	0.1°

High Resolution (P/N 02160003-000)

Linear Range	$\pm 19.99^\circ$
Threshold & Resolution	0.01°

90 Degree (P/N 02160005-000)

Linear Range	0° to 90°
Threshold & Resolution	0.1°

Linearity*

Null to 10°	0.1°
-------------	------

10° to 45°	$\pm 1\%$ of angle
------------	--------------------

Null Repeatability	$\pm 0.1^\circ$
--------------------	-----------------

Cross Axis Error	$< 1\%$ up to 45°
------------------	-------------------

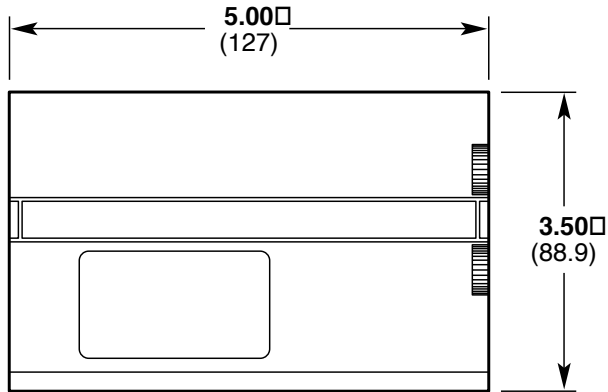
Sensor Time Constant	0.3 second
----------------------	------------

Sensor Frequency

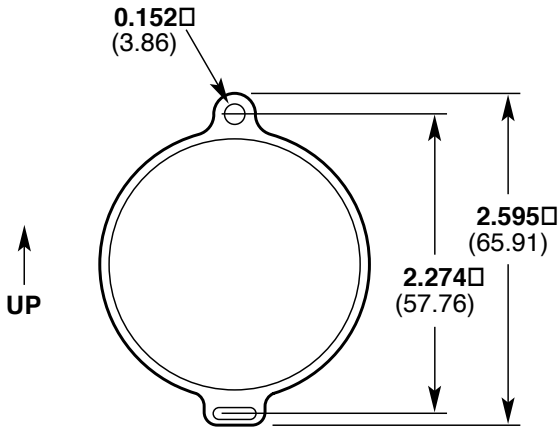
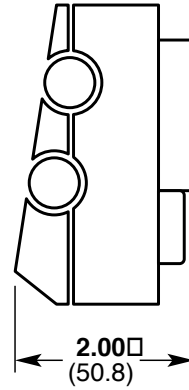
Response	0.5 Hz
----------	--------

dimensions

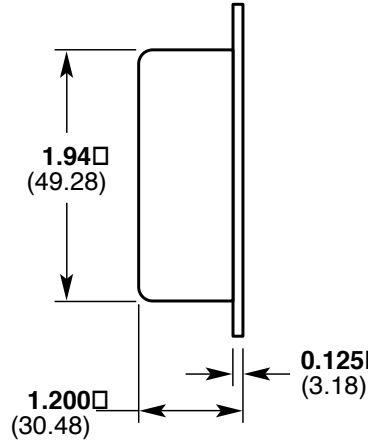
in (mm)



Weight: 8 oz (0.23 Kg)



Weight: 3 oz (0.08 Kg)



electrical specifications

Battery Life (approx.)	1000 hours
Temperature Range	-18° to 55°C
Interconnect Cable	
Four Conductor, AWG 26, PVC Jacket	
Standard Length	4 feet (@1.2 meters)
Maximum Length	200 feet (@61.5 meters)

*Linearity specification applies to standard and high resolution systems only.

(Cable lengths up to 200 feet are available. Consult factory for details.)

ordering information

Number	Description
02160001-000	±45°
02160003-000	±20°
02160005-000	0° to 90°