

# AccuSwitch™

## Dual Axis Tilt Switch

### DESCRIPTION

Schaevitz® Sensors is proud to introduce the new AccuSwitch™ Dual Axis Tilt Switch based on the highly successful AccuStar® II/DAS-20. The AccuSwitch™ offers programmable switch points for both axes. Open collector and polarity outputs for each axis affords versatility and economy in a single package. Designed to meet the needs of the man lift and material handling markets, it is easily adapted to fit numerous applications.



### performance specifications

Range	±2° to ±20°
Reset	50% of set point
Threshold / Resolution	0.01
Repeatability	0.1°
Frequency Response	0.50 Hz (nominal)

### environmental

Temperature Range	
Operating	-20° to 65°C
Storage	-55° to 65°C
Temperature	
Coefficient of Null	0.01%/°C
Temperature Coefficient of Scale Factor	
	0.10%/°C

### electrical connections

Wire	Source
GND	Ground
+VDC	+ Power Input
Y-PW	Y Axis Open Collector Input
X-PW	X Axis Open Collector Input
Y-DC	Y Axis Polarity Output
X-DC	X Axis Polarity Output

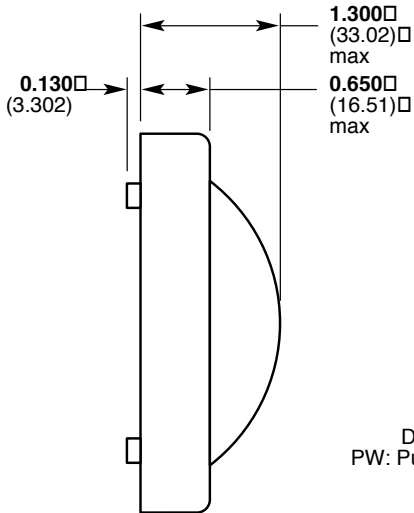
### electrical

Voltage Supply (nominal)	9 VDC
Voltage Supply Range	Regulated 5.0 to 15.0 VDC
Current	10 mA
Polarity Outputs (@ 9 VDC input)	
V-Logic 1 (+)	7.25 VDC (typ)
V-Logic 0 (-)	1.95 VDC (typ)
Open Collector Inputs	
Continuouss Collector Current	1A (max)
Collector - Ground Voltage	25 VDC (max)

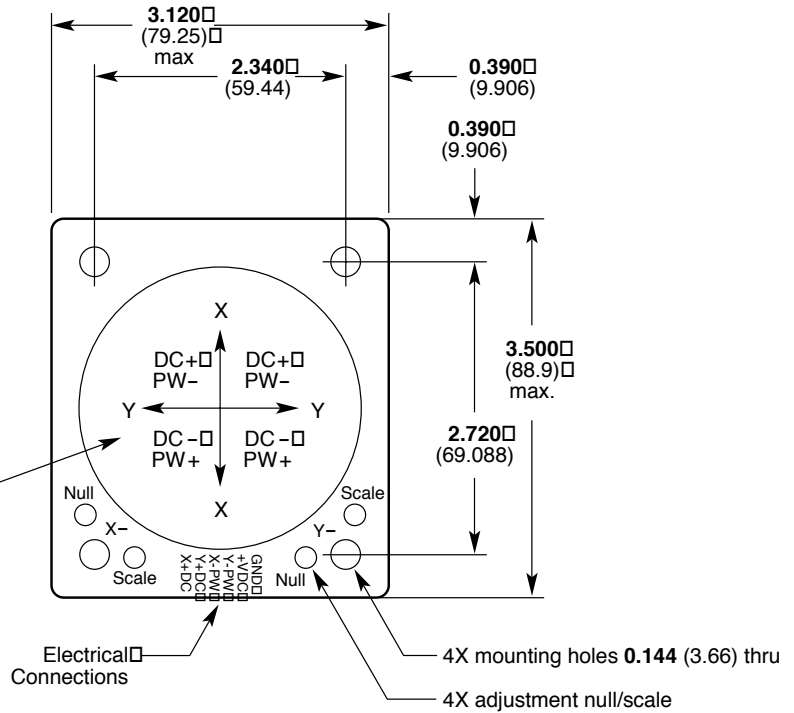
## dimensions

in (mm)

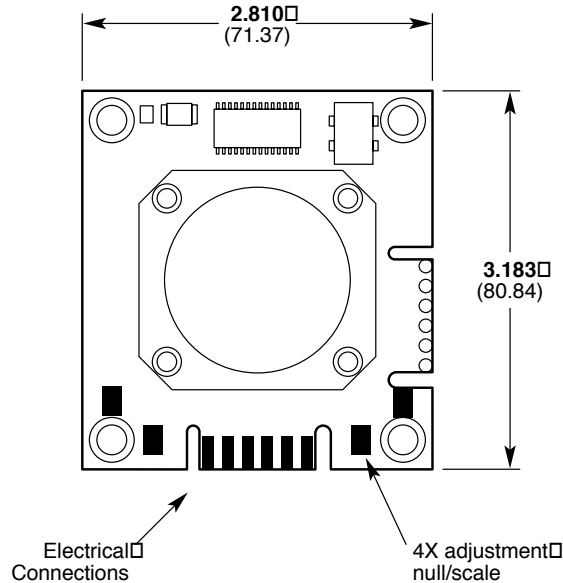
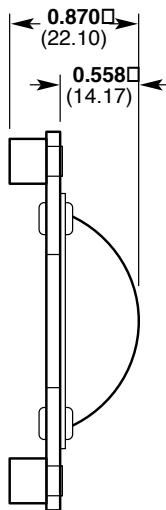
**AccuSwitchw/Case**  
P/N 02119011-000



Polarity  
DC: Analog  
PW: Pulse Width



**AccuSwitch w/Standoffs**  
P/N 02119111-000



## ordering information

Number	Description
02118011-000	AccuSwitch w/case
02118111-000	AccuSwitch w/standoffs
09-01-1061A	Mating Molex connector

Note: Connector is recommended for model 02118011-000 (AccuSwitch w/case)