

## *VeriSens*® Serie 1200

Versatile vision sensors with serial data interface

### For acquisition of

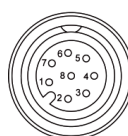
- Part location
- Part orientation
- Part completeness
- Part presence

# Series 1200

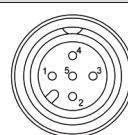
Models	VXS 1203M10RR	VXS 1203M10WR	VXS 1203M16RR	VXS 1203M16WR
<b>Image sensor</b>	High Sensitive Progressive Scan CCD			
Number of pixels	656 x 494			
Type	Monochrome			
<b>LED illumination</b>	Red (typically 660 nm)	White	Red (typically 660 nm)	White
Speed	High Resolution Mode: max. 30 inspections per second High Speed Mode: max. 50 inspections per second			
<b>Lens</b>	f = 10 mm		f = 16 mm	
Min. object distance	50 mm		60 mm	
Object distance	Maximum field of view			
60 mm	24 mm x 18 mm		13 mm x 10 mm	
100 mm	43 mm x 32 mm		25 mm x 19 mm	
200 mm	92 mm x 69 mm		55 mm x 42 mm	
300 mm	140 mm x 106 mm		86 mm x 64 mm	
<b>Signal processing</b>				
Processor	Baumer FEY® 3.0			
Memory	64 MBytes			
<b>Inputs / Outputs</b>	Inputs: 8...30 VDC / Outputs: PNP 100 mA			
4x digital input	Trigger			
	Job selection 1			
	Job selection 2			
	Job selection 3 / Teach-in			
4x digital output	Ready			
	Pass / Fail			
	Alarm			
	Flash sync			
<b>Communication</b>				
Serial setup	USB 2.0			
Serial process interface	RS485			
<b>Electrical data</b>				
Power supply	8...30 VDC			
Power consumption	Typically 6 Watt			
<b>Housing</b>				
Material	Aluminum und polycarbonate			
Weight	250 g			
<b>Operating conditions</b>				
Operating temperature	5°C...50°C			
Humidity	0 %...90 % (non-condensing)			
Protection class	IP 64			

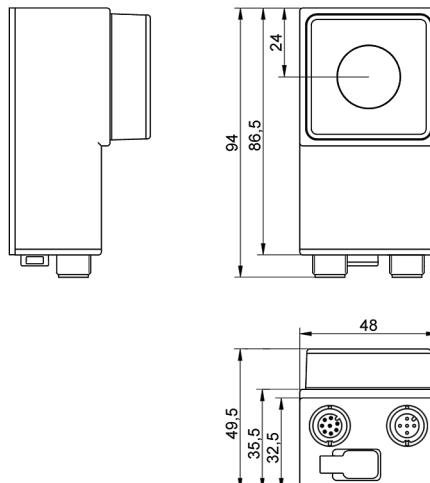
## Your benefits

- Accurate object information due to process data transmission via RS485 interface
- Convenient object training via external teach-in
- Reliable operation even under varying lighting conditions due to contour-based image processor
- Rapid commissioning is supported by intuitive user interface with pre-configured sensor functions
- Capable of switching between up to 255 jobs

PLC interface	Type M12
1: IN1 (Trigger)	
2: Power +24 VDC	
3: OUT1 (Ready)	
4: OUT2 (Pass / Fail)	
5: OUT3 (Alarm)	
6: IN2 (Job)	
7: Ground	
8: IN3 (Job)	

PLC interface	Type M12
1: OUT4 (Flash)	
2: IN4 (Job / Teach)	
3: Ground	
4: RS485+	
5: RS485-	



- Compact
- Reliable
- Powerful
- User-friendly



# Baumer

**Baumer Switzerland**  
 Baumer Electric AG  
 P.O. Box · Hummelstrasse 17 · CH-8501 Frauenfeld  
 Phone +41 (0)52 728 11 22 · Fax +41 (0)52 728 11 44  
 sales.ch@baumerelectric.com · www.baumerelectric.com

**Baumer USA**  
 Baumer Ltd.  
 122 Spring Street Unit C6 · Southington CT 06489  
 Phone 800 937 9336 · Fax 860 628 6280  
 sales.us@baumergroup.com · www.baumergroup.com